

# APF 15/40

## FORWARD MOVING VIBRATORY PLATE



### BROAD APPLICATION RANGE

The APF 15/40 is able to utilise key options to make this forward-moving plate extremely versatile. An optional Vulcolan mat, which can be installed without a single tool, provides quick adjustment when working with paving stones. A sprinkling system enables work also on asphalt. The plate features a working width of 400 mm (15.7 in) and engine power ranging from 2.6 kW to 3.8 kW.

### SIMPLE OPERATION

- Operator safety with low HAV levels (below 2.5 m/sec<sup>2</sup>)
- Machine frame that enables secure grip
- Great maneuverability boosts accuracy and makes work simple

### POWERFUL COMPACTOR

- Generously sized, powerful exciter unit
- Leading compaction power, speed, climbing ability and machine life
- Compact dimensions allow use on sites with limited space

### READY FOR RENTAL

- Low cost upkeep for owners
- Good match for many applications
- Easy for new users to operate

### SERVICEABILITY

- Maintenance-free exciter system
- Full engine protection frame
- Toolless daily maintenance

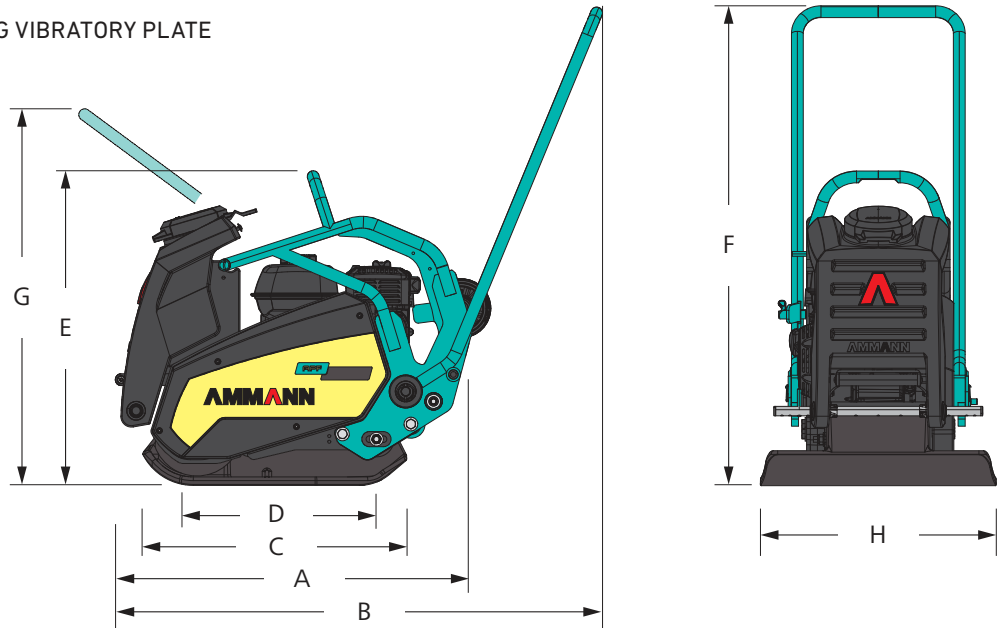
### VERSATILE OPTIONS

- Toolless mountable water tank and sprinkler system
- Toolless mountable rubber mats to change onto paving stones
- Permanently mounted transport wheels ensure easy relocation of the machine on site

### APPLICATIONS

- Compaction in confined areas
- Asphalt and paving applications
- Light to medium patchwork
- Pipeline and trench construction
- Landscaping and gardening
- Earthwork

TECHNICAL SPECIFICATIONS  
APF 15/40 FORWARD MOVING VIBRATORY PLATE



### DIMENSIONS & WEIGHTS

MACHINE WEIGHT	80 <sup>(1)</sup> /84 kg (176 <sup>(1)</sup> /185 lb)
MACHINE WEIGHT (INCL. OPTIONAL SPRINKLER & WHEELS)	89 <sup>(1)</sup> /93 kg (195 <sup>(1)</sup> /205 lb)
A MACHINE LENGTH	700 mm (27.6 in)
B MACHINE LENGTH WITH HANDLE	1020 mm (40.2 in)
C BASE PLATE LENGTH	559 mm (22 in)
D GROUND CONTACT LENGTH	352 mm (13.9 in)
E MACHINE HEIGHT	667 mm (26.3 in)
F WITH HANDLE (WORK)	976 mm (38.4 in)
G WITH HANDLE (TRANSPORT)	<sup>(2)</sup> 736/ <sup>(3)</sup> 960 mm ( <sup>(2)</sup> 29/ <sup>(3)</sup> 37.8 in)
H MACHINE WIDTH	400 mm (15.7 in)

### COMPACTION FORCES

MAX. VIBRATION FREQUENCY	100 Hz (6000 vpm)
MAX. CENTRIFUGAL FORCE	15 kN (3372 lbf)
WORKING SURFACE	648 m <sup>2</sup> /h (6975 ft <sup>2</sup> /h)
SPEC. SURFACE PRESSURE	10.7 N/cm <sup>2</sup> (15.5 psi)

<sup>(1)</sup>Vanguard & Rato

<sup>(2)</sup>Honda & Rato

<sup>(3)</sup>Vanguard

### ENGINE

ENGINE	Honda GX 120	Vanguard 160	Rato R180
FUEL	Petrol	Petrol	Petrol
ENGINE OUTPUT AT RPM	2.6 kW (3.5 HP) 3600	3.7 kW (5 HP) 3600	3.8 kW (5.1 HP) 3600

### MISCELLANEOUS

HAND-ARM VIBRATION ON HANDLE	<2.5 m/s <sup>2</sup>
SPEED	0–27 m/min (0–88.6 ft/min)
GRADEABILITY	30 %
MAX. INCLINE TO ALL SIDES	20°

### OPTIONS

RUBBER MAT	x
TRANSPORT WHEELS	x
WATER SPRINKLER SYSTEM	12 l (3.2 gal)
HOUR METER	x

### HIGHLIGHTS

- Low-vibration handle for operator safety and comfort
- Maintenance-free exciter system
- Self cleaning and wear resistant base plate
- Engine frame for protection on the jobsite and during transport
- Transport wheels, which can be dropped with a foot release, for increased jobsite mobility